

PRODUCT INFORMATION PACKET

Model No: LM25115

Catalog No: LM25115

Automotive Duty Motor, 0.33 HP, 3 Ph, 60 Hz, 230/460 V, 1800 RPM, 56 Frame, TENV



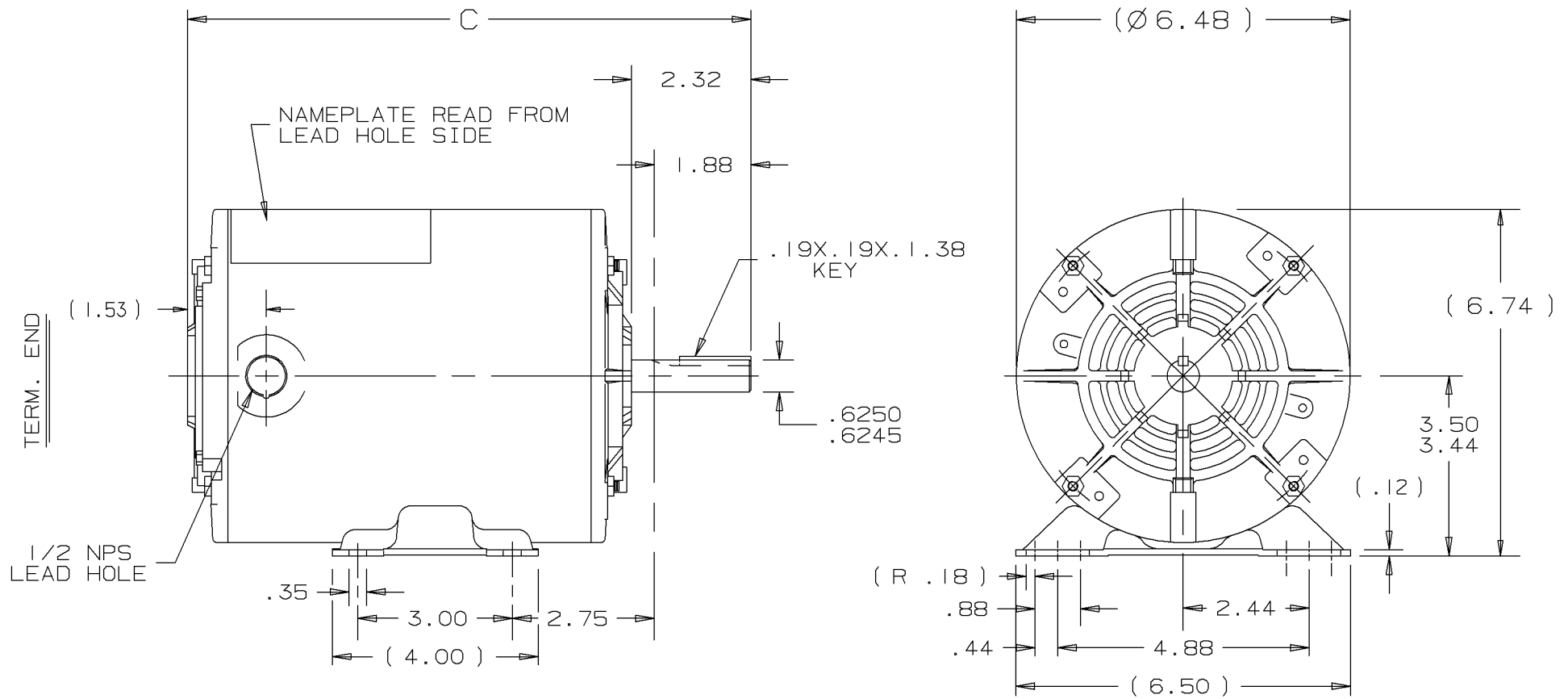
Regal and are trademarks of Regal Rexnord Corporation or one of its affiliated companies.
©2022 Regal Rexnord Corporation, All Rights Reserved. MC017097E

Nameplate Specifications

Output HP	0.33 Hp	Output KW	0.25 kW
Frequency	60 Hz	Voltage	230/460 V
Current	1.2/0.60 A	Speed	1725 rpm
Service Factor	1	Phase	3
Efficiency	74.5 %	Power Factor	71
Duty	Continuous	Insulation Class	F
Design Code	B	KVA Code	K
Frame	56	Enclosure	Totally Enclosed Non Ventilated
Thermal Protection	No Protection	Ambient Temperature	65 °C
Drive End Bearing Size	203	Opp Drive End Bearing Size	203
UL	Recognized	CSA	Y
CE	N	IP Code	43
Number of Speeds	1		

Technical Specifications

Electrical Type	Squirrel Cage Induction Run	Starting Method	Across The Line
Poles	4	Rotation	Reversible
Resistance Main	0 Ohms	Mounting	Rigid Base
Motor Orientation	Horizontal	Drive End Bearing	Ball
Opp Drive End Bearing	Ball	Frame Material	Rolled Steel
Shaft Type	NEMA 56	Overall Length	9.94 in
Frame Length	6.06 in	Shaft Diameter	0.625 in
Shaft Extension	1.88 in	Assembly/Box Mounting	F1 ONLY
Outline Drawing	100108LN-606	Connection Drawing	EE7308-LN



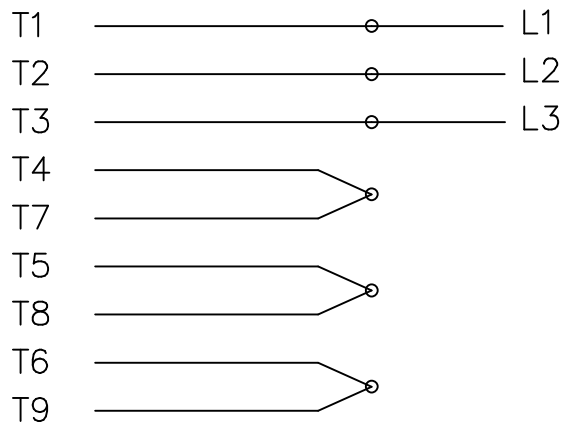
DASH	FR.	C			DASH	FR.	C		
					756	56-75	11.44		
606	56-60	9.94			806	"-80	11.94		
656	"-65	10.44			856	"-85	12.44		
706	"-70	10.94							

						UNLESS OTHERWISE SPECIFIED DIMENSIONS ARE IN INCHES TOL. ON XX±.02 XXX±.005 XXXX±.0005 ANGLES± 7°30"					
						MAX. SURFACE ROUGHNESS UNLESS OTHERWISE NOTED		DRAWN BY TRB 09-07-1999			
						FINISH		CHKD BY ML 09-07-1999			
						MATERIAL		APPD BY ET 09-08-1999			
1	09-08-1999	NEW DRAWING			TRB	PART NAME OUTLINE 56 FR - TENV - BB - 3Ø				DRWG NO A-100108LN	
REV	DATE	CHANGE			NAME						

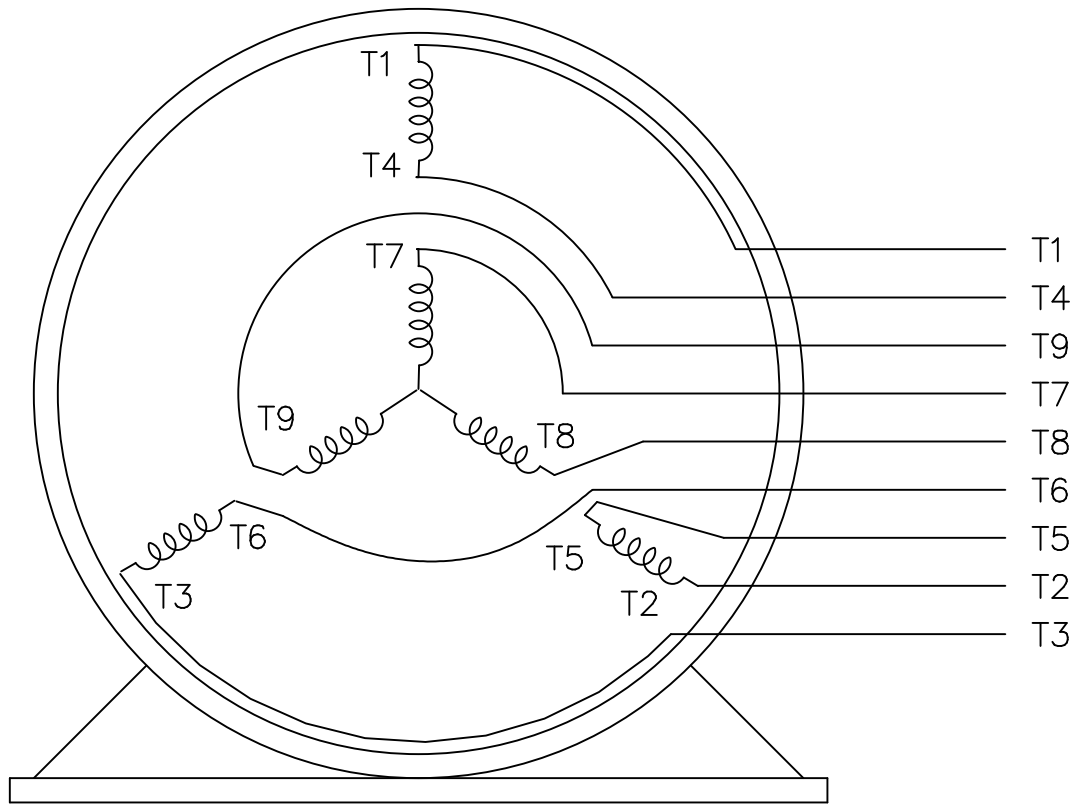
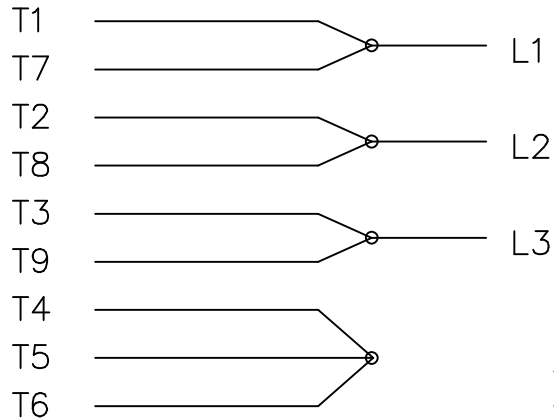
PURCHASED CADD FILE NO. 100108LN

THREE PHASE
DUAL VOLTAGE MOTOR

HIGH VOLTAGE



LOW VOLTAGE



VIEW OF TERMINAL END

REF.
WINDING DIAGRAM

T8Y, T2Y, T2BL, T4BX, T2EC, T2G
T6BZ, T2B, T6BL, T4AV, T6B, T4B

OPTIONAL CORD
CONNECTION

L1 WHITE
L2 RED
L3 BLACK

NO.	REVISION	BY & DATE	CHK	TOLERANCES UNLESS SPECIFIED		FINISH	DRAWN	DATE			
				DEC.	INCHES						
				.X	±.1		BLR	06/11/1999			
							ML	06/18/1999			
							GK	06/18/1999			
3	ADDED THE OPTIONAL CORD CONNECTION MU46318	RDH 04/24/2003	DRS	.XX	±.02	TITLE CONNECTION DIAGRAM		SCALE 1=1			
2	RE-ISSUE, ADDED '-' TO PART NUMBER	BLR 08/09/1999	GK	.XXX	±.005	3∅ - DUAL VOLTAGE MOTOR		REF			
1	NEW DRAWING	BLR 06/18/1999	GK	.XXXX	±.0005	MAT'L.		FMF			
				ANG	±7'30"			PREV			
THIS DRAWING IN DESIGN AND DETAIL IS OUR PROPERTY AND MUST NOT BE USED EXCEPT IN CONNECTION WITH OUR WORK ALL RIGHTS OF DESIGN AND INVENTION ARE RESERVED THIS IS AN ELECTRONICALLY GENERATED DOCUMENT - DO NOT SCALE THIS PRINT				RFP	CAD FILE EE7308LN			SIZE A	DRAWING NO. EE7308-LN	PAGE OF 3	REV. 3
				DIST WP							





LEESON ELECTRIC CORPORATION
 TYPICAL PERFORMANCE CURVE for AC MOTOR

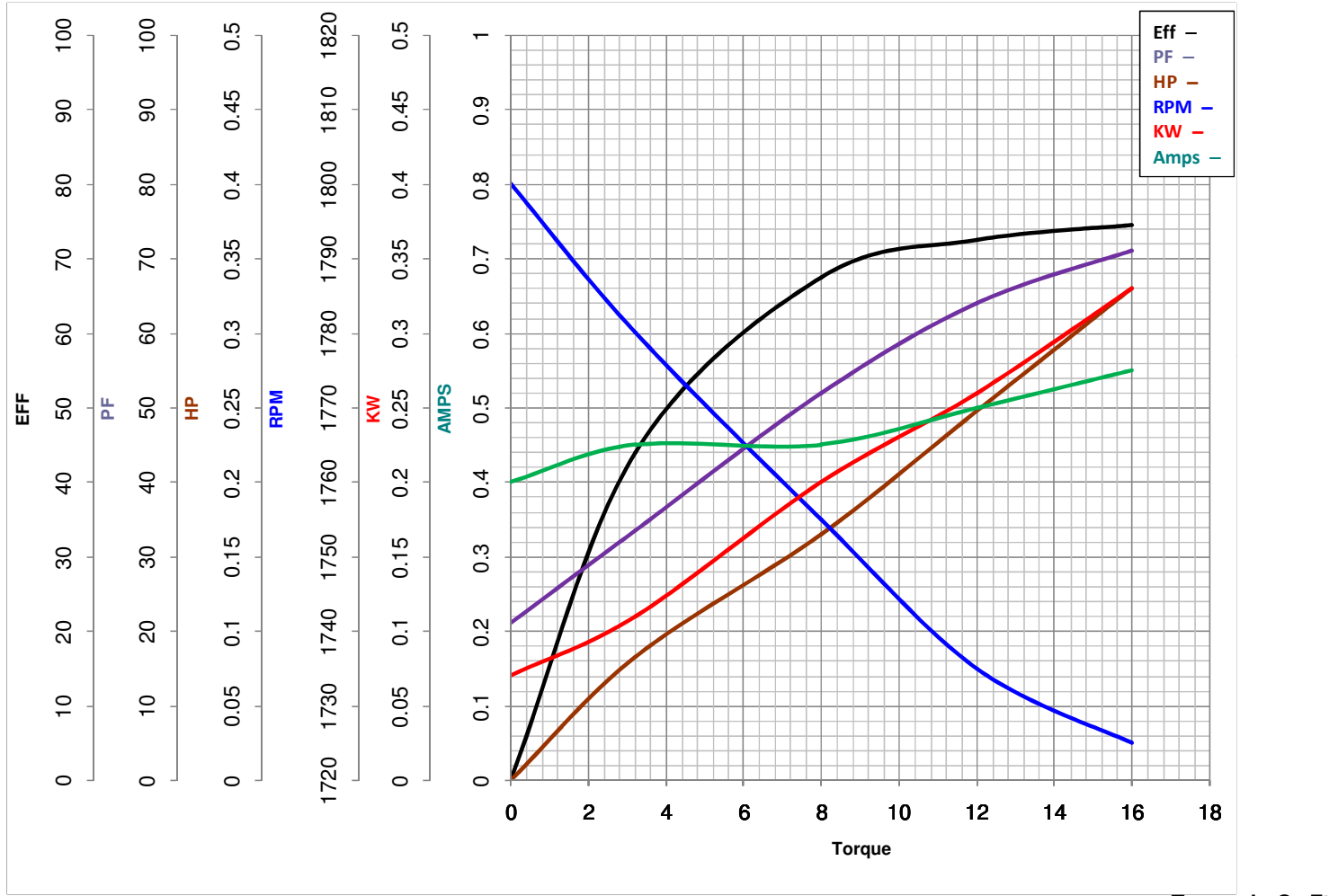
Model No LM25115

Curve at 460 Volts HP 0.33 PHASE 3
60 HZ
0.33 HP VOLTS 230/460

Catalog No LM25115A

HZ 60

RPM 1725



FL TORQUE	<u>16</u>	Oz.Ft	FL AMPS	<u>1.2/6</u>	
BD TORQUE	<u>59.2</u>	Oz.Ft	PU TORQUE	<u>44.8</u>	Oz.Ft
LR TORQUE	<u>49.6</u>	Oz.Ft	LR AMPS	<u>3.6</u>	
WINDING	ZT493-3		Date	6/4/2018	